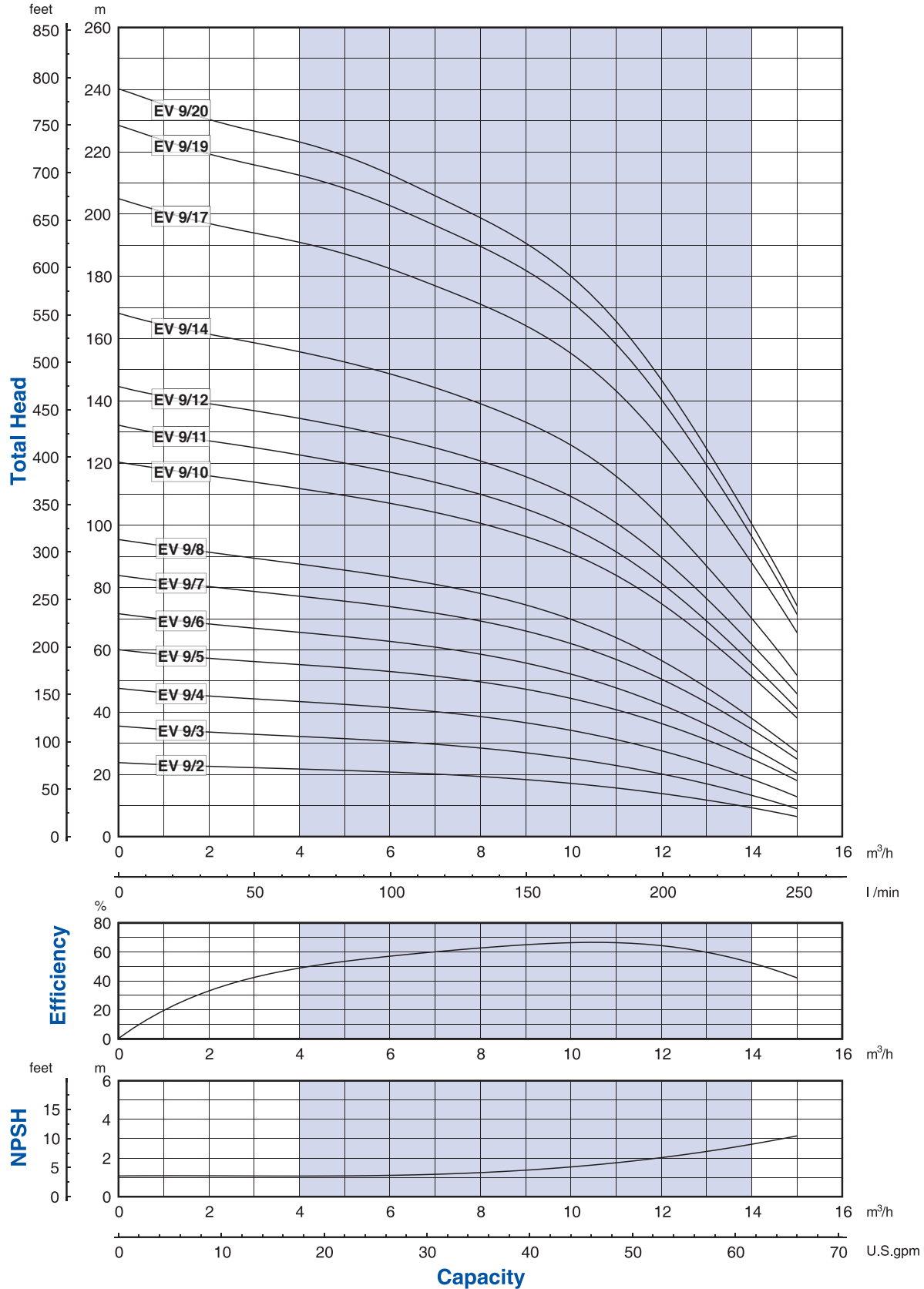


Performance curves 50Hz
MEI ≥ 0,70



00110041 11/2013

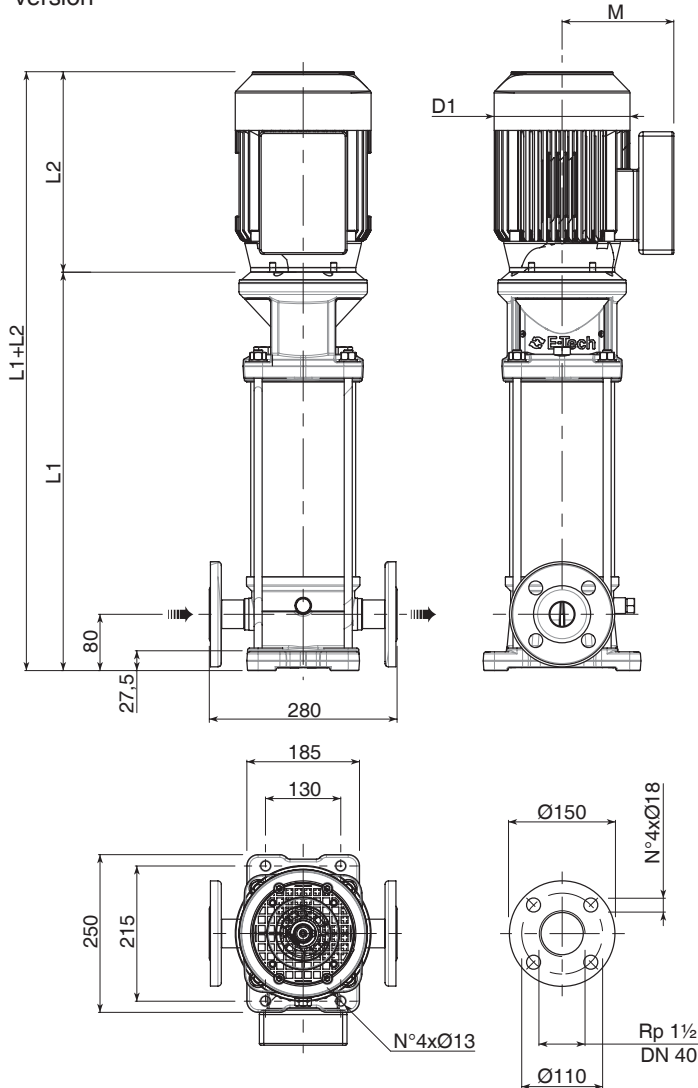
The hydraulic characteristics are guaranteed, according to ISO standard 9906, grade 3.

It is our policy to continuously develop and improve our products, therefore, we reserve the right to amend specifications without prior notice.

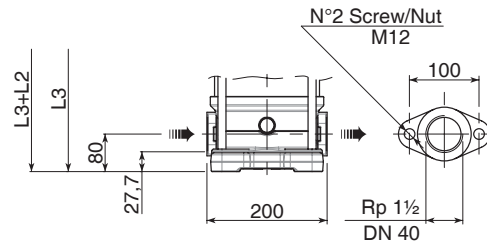


Technical data 50Hz

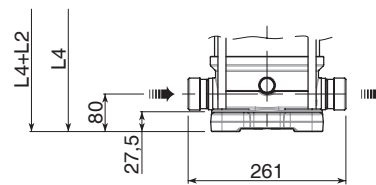
F version



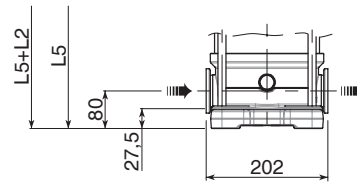
T version



V version



C version



F version Round flanges on body type PN25: the pump is supplied without counterflanges (Optional accessories, including bolts and joints).

T version Oval flanges on body type PN16: the pump is supplied without threaded oval counter flanges (Optional accessories, including bolts and joints).

V version Connections with rapid fittings type "Victaulic": the pump is supplied without the collars (Optional accessories).

C version Connections with round fittings type Clamp-FlexiClamp: the pump is supplied without collars (Optional accessories).

Pump Model	Motor		Dimensions (mm)							Weight				
	kW	Size	L1 F	L2 1-PHASE	L2 3-PHASE	L3 T	L4 V	L5 C	M 1-PHASE	M 3-PHASE	D1 1-PHASE	D1 3-PHASE	Pump	Electric Pump
EV 9/2	0.75	80	347.5	232	232	347.5	347.5	347.5	150	129	160	160	17.5	27
EV 9/3	1.1	80	377.5	232	232	377.5	377.5	377.5	150	129	160	160	18	29.5
EV 9/4	1.5	90	417.5	267	267	417.5	417.5	417.5	160	138	180	180	19	33
EV 9/5	2.2	90	448	267	267	448	448	448	160	138	180	180	20	36
EV 9/6	2.2	90	478	267	267	478	478	478	160	138	180	180	21	37
EV 9/7	3	100	518	-	267	518	518	518	-	138	-	180	22	41
EV 9/8	3	100	548	-	267	548	548	548	-	138	-	180	23	42
EV 9/10	4	112	608	-	306	608	608	608	-	145	-	196	24.5	47.5
EV 9/11	4	112	638	-	306	638	638	638	-	145	-	196	25	48
EV 9/12	5.5	132	690.5	-	328	690.5	690.5	690.5	-	161	-	225	30.5	64.5
EV 9/14	5.5	132	750.5	-	328	-	750.5	750.5	-	161	-	225	32	66
EV 9/17	7.5	132	840.5	-	350	-	840.5	840.5	-	161	-	225	34.5	70.5
EV 9/19	7.5	132	900.5	-	350	-	900.5	900.5	-	161	-	225	36	72
EV 9/20	7.5	132	930.5	-	350	-	930.5	930.5	-	161	-	225	36.5	72.5

00114014 01/2012

EV 3-5-9

TABLE OF HYDRAULIC PERFORMANCES AT 50Hz

PUMP TYPE	RATED POWER		Q = DELIVERY																											
	kW	HP	l/min 0	25	33	42	50	58	67	75	83	90	100	117	133	150	167	183	233	300	333	367	417	433,5	466,5					
			m ³ /h 0	1.5	2	2.5	3	3.5	4	4.5	5	5.4	6	7	8	9	10	11	14	18	20	22	25	26	28					
H = TOTAL HEAD METERS COLUMN OF WATER																														
EV 3/2	0.3	0.4	22	19.5	18.5	17	15	13.5	11.5	9.5																				
EV 3/3	0.55	0.75	33.5	29	27.5	25	22.5	20	17	13.5																				
EV 3/4	0.75	1	45.5	41	38.5	35.5	32.5	29	25	21																				
EV 3/5	0.75	1	56.5	50	47	43.5	39.5	35	30.5	25																				
EV 3/6	1.1	1.5	68	60.5	57	53	48	42.5	37	30.5																				
EV 3/7	1.1	1.5	78.5	70	65.5	60.5	55	48.5	42	34.5																				
EV 3/8	1.5	2	91	81.5	77	71.5	65	58	50	41.5																				
EV 3/10	1.5	2	112.5	100.5	94.5	87	79	70	60.5	49.5																				
EV 3/12	2.2	3	137	123.5	117	108.5	98.5	88.5	76.5	63.5																				
EV 3/14	2.2	3	159.5	143	134.5	124.5	113.5	101	87.5	72.5																				
EV 3/17	3	4	194.5	174.5	165	152.5	139	124.5	107.5	89.5																				
EV 3/20	4	5.5	231.5	210.5	199.5	185.5	170	152.5	133	111.5																				
EV 3/22	4	5.5	254	230.5	218.5	203	185.5	166.5	145.5	121.5																				
EV 5/2	0.55	0.75	22		21	20	19.5	18.5	18	17	16	15.5	14	11																
EV 5/3	0.75	1	34		32	31	30	29.5	28	27	26	24.5	22.5	18																
EV 5/4	1.1	1.5	45.5		42.5	41.5	40	39	37.5	36	34	32.5	30	24																
EV 5/5	1.1	1.5	56.5		52	50.5	49	47.5	46	44	41.5	39.5	36	29																
EV 5/6	1.5	2	68.5		63.5	62	60.5	58.5	56.5	54	51.5	49	45	36.5																
EV 5/7	1.5	2	79.5		73.5	71.5	69.5	67.5	64.5	62	59	56	51	41																
EV 5/8	2.2	3	92		86	84	82	79.5	77	74	70.5	67	62	50.5																
EV 5/10	2.2	3	114		106.5	103.5	101	98	94	90.5	86	82	75	61																
EV 5/12	3	4	137.5		128.5	125.5	122	118.5	114.5	109.5	104.5	99.5	91.5	74.5																
EV 5/14	3	4	159.5		148.5	144.5	140.5	136.5	131.5	126	120	114	104.5	84.5																
EV 5/17	4	5.5	196.5		184.5	180.5	176	171	165	159	151.5	145	133.5	109.5																
EV 5/19	5.5	7.5	220		206.5	202	197	192	185.5	178.5	170	162.5	150	123.5																
EV 5/22	5.5	7.5	254		237.5	232.5	226.5	220	212.5	204.5	195	186	171.5	140.5																
EV 9/2	0.75	1	23.5						22	21.5	21.5	21	20.5	20	19	18.5	17	15.5	9											
EV 9/3	1.1	1.5	35.5						32.5	32	31.5	31	30.5	29.5	28.5	27	25.5	23	13											
EV 9/4	1.5	2	47.5						43.5	43	42.5	42	41.5	40	38.5	36.5	34.5	31.5	18.5											
EV 9/5	2.2	3	60						55.5	55	54.5	54	53	51	49.5	47.5	44.5	41	25											
EV 9/6	2.2	3	71.5						66	65.5	64.5	64	62.5	60.5	58.5	56	52.5	48	28.5											
EV 9/7	3	4	84						77.5	77	76	75.5	74	71.5	69	66	62.5	57	34.5											
EV 9/8	3	4	95.5						88	87.5	86.5	85.5	83.5	80.5	77.5	74.5	70	64	38											
EV 9/10	4	5.5	120.5						112.5	111.5	110.5	109.5	107.5	104	100.5	96.5	91	84	51.5											
EV 9/11	4	5.5	132						123	122	121	119.5	117.5	113.5	109.5	105.5	99.5	91.5	56											
EV 9/12	5.5	7.5	144.5						135	134	132.5	131	129	124.5	120.5	116	109.5	100.5	62											
EV 9/14	5.5	7.5	168						156	155	153.5	151.5	149	144	139	133.5	126	115.5	70											
EV 9/17	7.5	10	205						191	190	188	186	182.5	177	170.5	164.5	155.5	143	88											
EV 9/19	7.5	10	228.5						212.5	211	209	206.5	203	196.5	189.5	182	172	158	96.5											
EV 9/20	7.5	10	240.5						223.5	221.5	219	217	213	206	198.5	191	180	165.5	100.5											