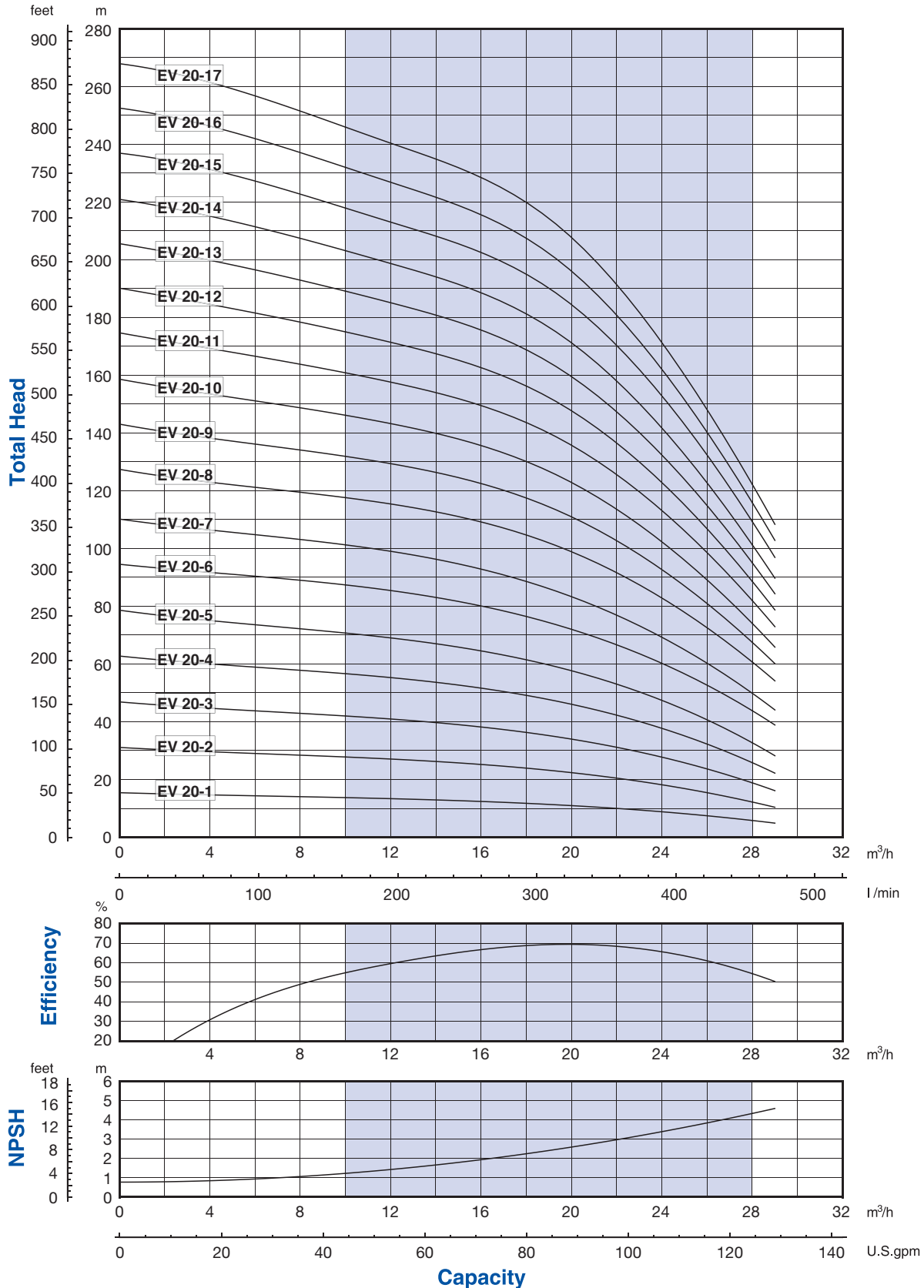


Performance curves 50Hz

MEI ≥ 0,70

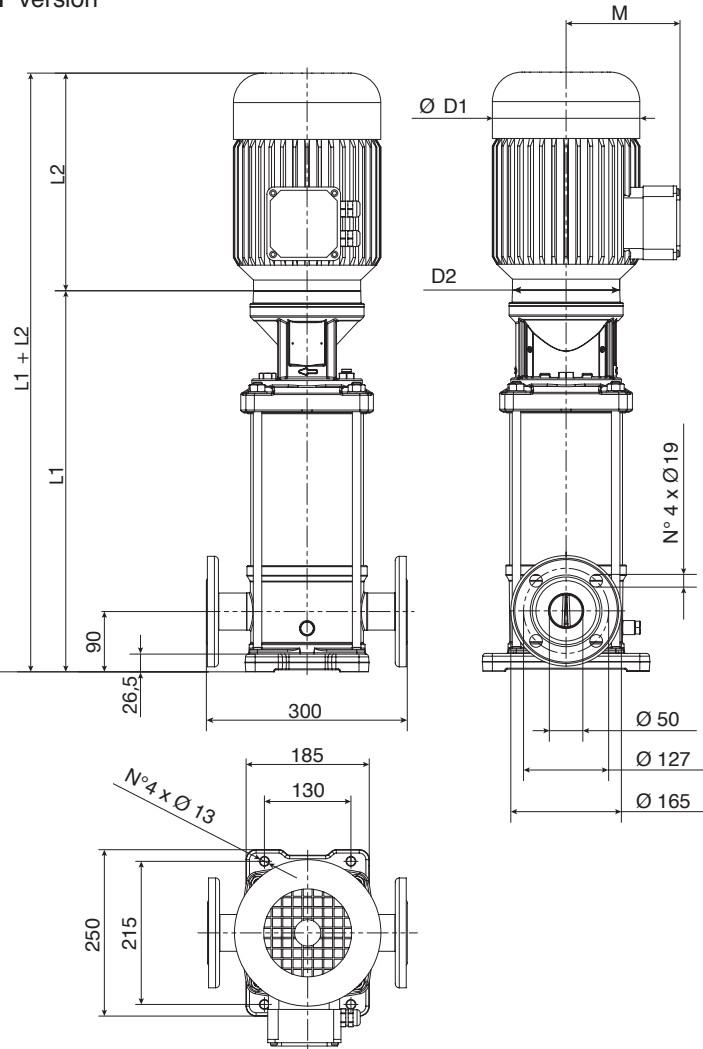


The hydraulic characteristics are guaranteed, according to ISO standard 9906, grade 3.

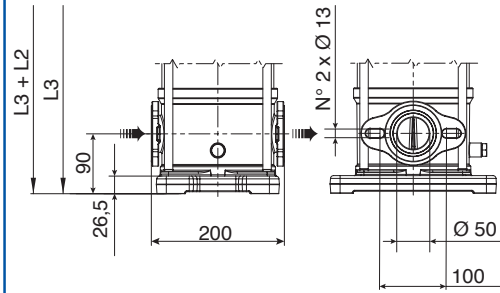
It is our policy to continuously develop and improve our products, therefore, we reserve the right to amend specifications without prior notice.

Technical data 50Hz

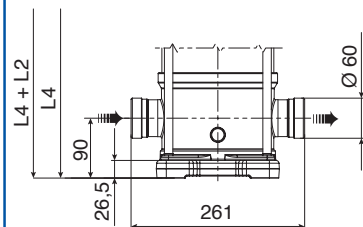
F version



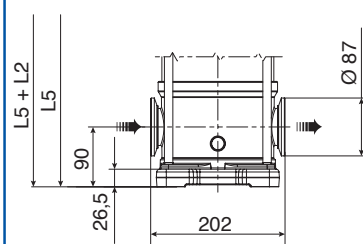
T version



V version



C version



F version Round flanges on body type PN25: the pump is supplied without counterflanges (Optional accessories, including bolts and joints).

T version Oval flanges on body type PN16: the pump is supplied without threaded oval counter flanges (Optional accessories, including bolts and joints).

V version Connections with rapid fittings type "Victaulic": the pump is supplied without the collars (Optional accessories).

C version Connections with round fittings type Clamp-FlexiClamp: the pump is supplied without collars (Optional accessories).

00114095 05/2014

Pump Model	Motor		Dimensions (mm)										Weight		
	kW	Size	L1 F	L2		L3 T	L4 V	L5 C	M		D1		D2	Pump	Electric Pump
EV 20/1	1,1	80	405	1-PHASE 232	3-PHASE 232	232	232	232	150	129	160	160	170	23,5	35,5
EV 20/2	2,2	90	415	267	267	267	267	267	160	138	180	180	170	25,5	41,5
EV 20/3	4	112	473	-	306	306	306	306	-	145	-	196	170	27	49,8
EV 20/4	5,5	132	708	-	328	328	328	328	-	161	-	225	300	49	83
EV 20/5	5,5	132	756	-	328	328	328	328	-	161	-	225	300	50,5	84,5
EV 20/6	7,5	132	804	-	350	350	350	350	-	161	-	225	300	52	88
EV 20/7	7,5	132	852	-	350	350	350	350	-	161	-	225	300	53	89
EV 20/8	11	160	920	-	425	425	425	425	-	198	-	248	350	57,5	115,5
EV 20/9	11	160	968	-	425	425	425	425	-	198	-	248	350	59	117
EV 20/10	11	160	1016	-	425	425	425	425	-	198	-	248	350	60,5	118,5
EV 20/11	15	160	1064	-	476	-	476	476	-	198	-	248	350	61,5	125,5
EV 20/12	15	160	1112	-	476	-	476	476	-	198	-	248	350	63	127
EV 20/13	15	160	1160	-	476	-	476	476	-	198	-	248	350	64,5	128,5
EV 20/14	15	160	1208	-	476	-	476	476	-	198	-	248	350	66	130
EV 20/15	18,5	160	1256	-	542	-	542	542	-	235	-	317	350	67,5	156,4
EV 20/16	18,5	160	1304	-	542	-	542	542	-	235	-	317	350	68,5	157,4
EV 20/17	18,5	160	1352	-	542	-	542	542	-	235	-	317	350	70	158,9

EV 15-20

TABLE OF HYDRAULIC PERFORMANCES AT 50Hz

PUMP TYPE	RATED POWER		Q = DELIVERY																							
	kW	HP	l/min 0	25	33	42	50	58	67	75	83	90	100	117	133	167	200	233	266	300	333	367	400	433,5	466,5	
			m ³ /h 0	1.5	2	2.5	3	3.5	4	4.5	5	5.4	6	7	8	10	12	14	16	18	20	22	24	26	28	
H = TOTAL HEAD METERS COLUMN OF WATER																										
EV 15/1	1,1	1,5	14,5																							
EV 15/2	2,2	3	29																							
EV 15/3	3	4	43,5																							
EV 15/4	4	5,5	58																							
EV 15/5	4	5,5	72,5																							
EV 15/6	5,5	7,5	87,5																							
EV 15/7	5,5	7,5	102																							
EV 15/8	7,5	10	117																							
EV 15/9	7,5	10	131,5																							
EV 15/10	11	15	147,5																							
EV 15/11	11	15	162																							
EV 15/12	11	15	176,5																							
EV 15/13	11	15	191																							
EV 15/14	11	15	205,5																							
EV 15/15	15	20	221																							
EV 15/16	15	20	235,5																							
EV 15/17	15	20	249,5																							
EV 20/1	1,1	1,5	15,5																							
EV 20/2	2,2	3	31																							
EV 20/3	4	5,5	46,5																							
EV 20/4	5,5	7,5	62,5																							
EV 20/5	5,5	7,5	78																							
EV 20/6	7,5	10	94,5																							
EV 20/7	7,5	10	110																							
EV 20/8	11	15	126,5																							
EV 20/9	11	15	142,5																							
EV 20/10	11	15	158																							
EV 20/11	15	20	174																							
EV 20/12	15	20	189,5																							
EV 20/13	15	20	205																							
EV 20/14	15	20	220,5																							
EV 20/15	18,5	25	237																							
EV 20/16	18,5	25	252,5																							
EV 20/17	18,5	25	268																							