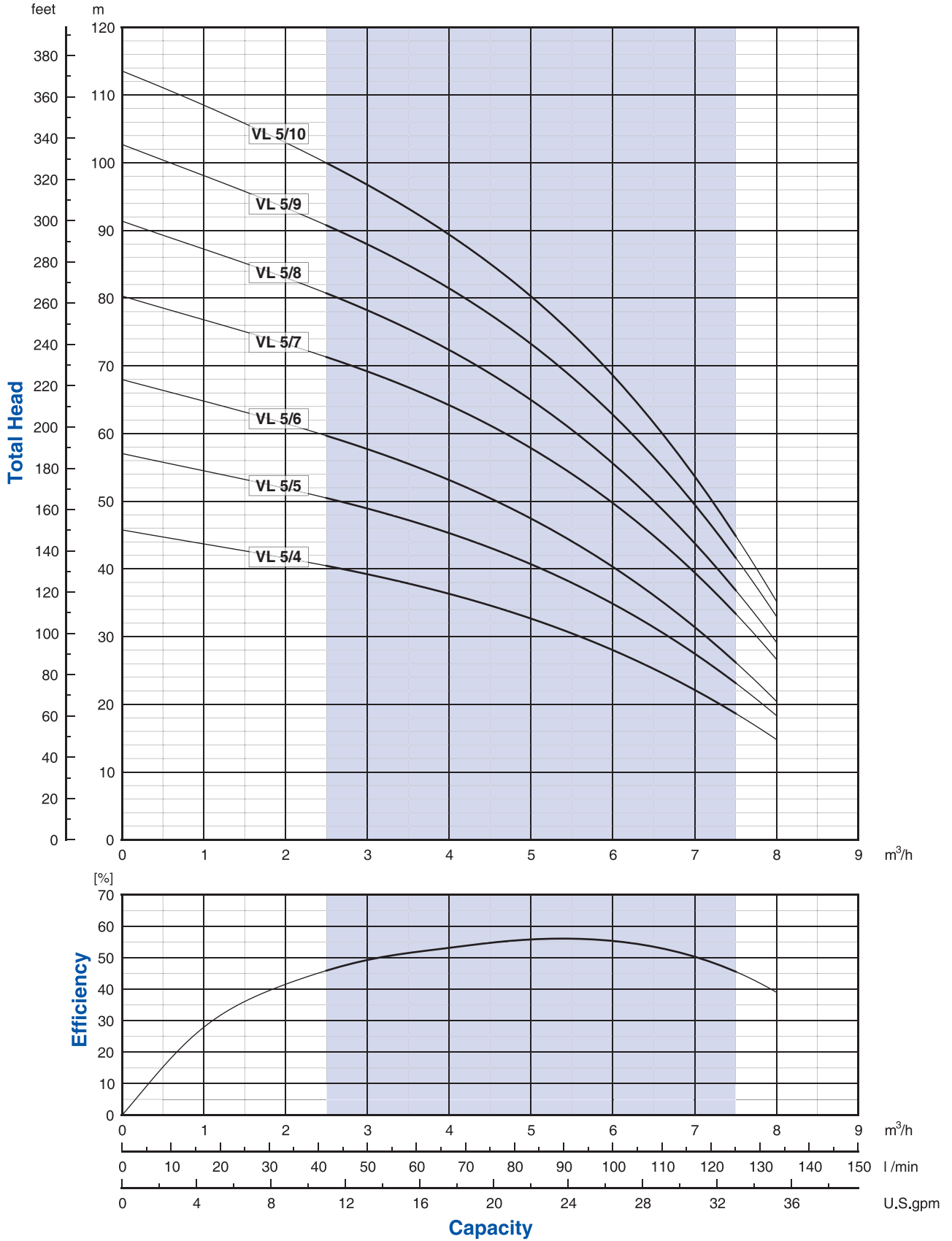


Performance curves 50Hz



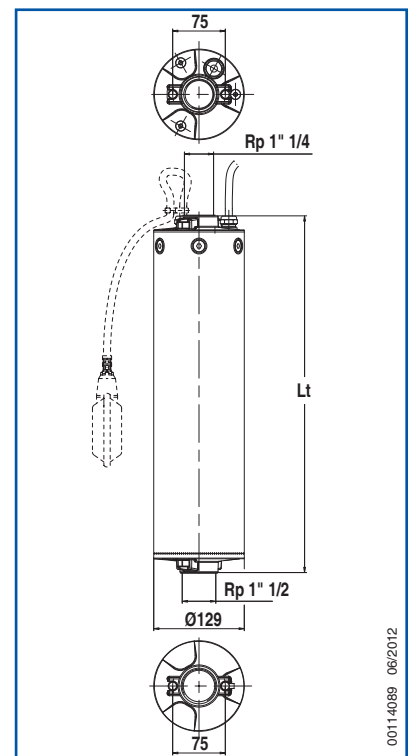
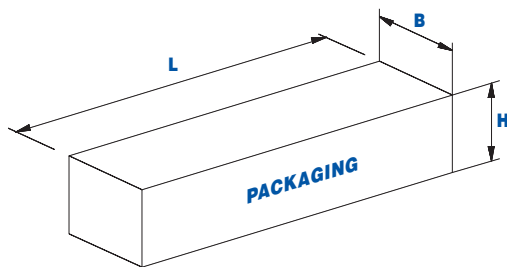
Technical data 50Hz

Pump model		NUMBER OF STAGES	MOTOR POWER		INPUT POWER	INTERNAL CAPACITOR		RATED CURRENT	
Single-phase 220-240V 50Hz	Three-phase 380-415V 50Hz		kW	HP		µF	V	Single-phase 220-240V 50Hz	Three-phase 380-415V 50Hz
VL 5/4	-	4	0.75	1	1.07	20	450	5.0	-
VL 5/5	-	5	0.9	1.2	1.34	30	450	6.6	-
VL 5/6	VL 5/6T	6	1.1	1.5	1.56	30	450	7.4	2.7
VL 5/7	VL 5/7T	7	1.5	2	1.86	35	450	9.7	3.2
VL 5/8	VL 5/8T	8	1.5	2	2.08	35	450	10.5	3.5
VL 5/9	VL 5/9T	9	2.2	3	2.35	45	450	10.7	5.0
VL 5/10	VL 5/10T	10	2.2	3	2.56	45	450	11.5	5.2

- Single-phase motors: 220-240 V ± 5 % / 50 Hz. Thermal protection built into the motor up to 1,1 kW. Thermal protection provided into the starter panel from 1,5 kW and above.
- Three-phase motors: 380-415 V ± 5 % / 50 Hz. Thermal protection to be provided into the starter panel by the installer.

Dimensions and weights

Pump model			PACKAGING				Weight kg	
Single-phase 220-240V 50Hz	Three-phase 380-415V 50Hz	Lt mm	L mm	B mm	H mm	Single-phase	Three-phase	
						VL 5/4	-	464
VL 5/5	-	488	720	230	175	17.0	-	
VL 5/6	VL 5/6T	512	720	230	175	17.5	16.5	
VL 5/7	VL 5/7T	586	800	230	195	20.5	18.5	
VL 5/8	VL 5/8T	610	800	230	195	21.0	19.0	
VL 5/9	VL 5/9T	634	800	230	195	23.0	21.5	
VL 5/10	VL 5/10T	658	800	230	195	23.5	22.0	



0011-4089 06/2012